

NEKPH Riding Club Gymkhana
At the
Caledonia County Fair Grounds
Saturday August 24, 2019

Registration Form (Registration begins at 9:00 am)

Rider Name _____ Horse Name _____

Address _____ Phone # _____

_____ Email Address _____

Contact info: Brenda Tanner
 4304 Pudding Hill Rd
 Lyndonville, VT 05851
 brendat5282@yahoo.com
 802-535-4991

Registration of 30.00 plus 5.00 office fee
 _____ (4 classes)

Jackpot Barrels \$10.00 per run
 Must be signed up before class starts

Division
 (Please Circle One)

Walk trot/lead line

Youth

Adult

Class List
{1} Stake Race {2} Arizona Keyhole
(3) Turn and Burn (4) Spur Race

****Note****

Under Vermont Law, an equine activity sponsor is not liable for an injury to, or the death of, a participant in equine activities resulting from the inherent risks of equine activities that are obvious and necessary, pursuant to 12 V.S.A 1039. I have read all of the rules and regulations and agree to abide by them. I am taking part in this horse show at my own risk, and I am fully aware that riding and all horse activities involve inherent risk. I am doing this voluntarily and agree to indemnify and hold harmless Northeast Kingdom Pleasure Horse/ Caledonia County Fair, and any persons involved with the running of the gymkhana from and against any claims of injury and/or loss. I also understand that I will be responsible for any damages incurred by my horse(s) and or myself. Your signature indicates that you have read and understood the rules and regulations for the Northeast Kingdom Pleasure Horse Gymkhanas. **HELMETS REQUIRED FOR RIDERS UNDER 18 YEARS OF AGE, BUT STRONGLY ENCOURAGED TO ALL RIDERS.**

 Signature of Rider

 Date

 Signature of Parent or Guardian (if under 18)

Jack Pot Barrels

Youth and Adult Divisions

Cash prize awarded to winner of each division

\$10 per run

Rider Name _____ Horse Name _____

of runs _____

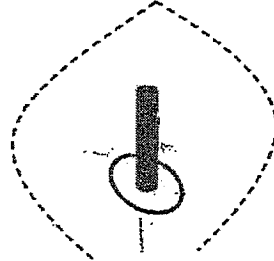
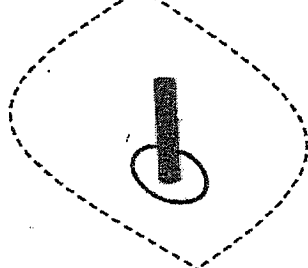
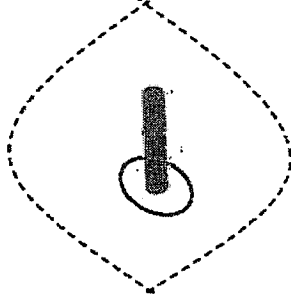
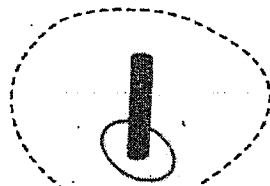
Pd. Amount _____

Please note that anyone who wishes to participate in any of these extra classes must sign up before the class begins. No late entries will be allowed.

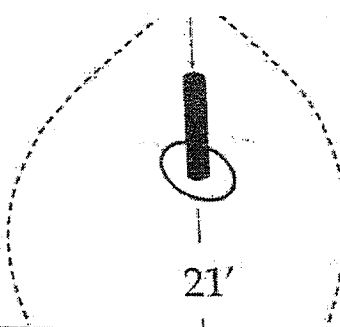
Rules and Regulations

1. All riders under the age of 18 are required to wear a helmet at all times while mounted on a horse.
2. A 2019 negative coggins test and rabies certificate is required and must be present at the time of unloading and if you are from out of state a health certificate is required.
3. No re-runs for defective equipment.
4. Failure to complete the pattern, knocking over an obstacle, and completing the pattern incorrectly will result in a disqualification. Ring judge's ruling is final.
5. Riding boots with heels are required no sneakers or shoes without heels will be allowed.
6. Any horse that cannot be controlled in or out of the ring and is deemed a threat to the public will be disqualified and the contestant will be asked to leave, no refunds.
7. No abuse to your horse will be tolerated. Bats, crops, and spurs are allowed but excessive use is discouraged.
8. No checks will be accepted, cash only for entries.
9. If you are not ready to run on your third call by the announcer, it will be considered a DQ, so please be in the waiting area and ready to go.
10. If walk trot/lead line division breaks out of a trot, they will get warned, if they do it again they will get DQ'd from that class.
11. To receive a ticket to enter the gate, please pre-register by August 14th, to Brenda's address on the entry form. Please make checks out to NEKPH. This exhibitor ticket is only good for the gymkhana show, if you plan on watching the rodeo or any other events please upgrade your tickets at the front gate.

Stake Race



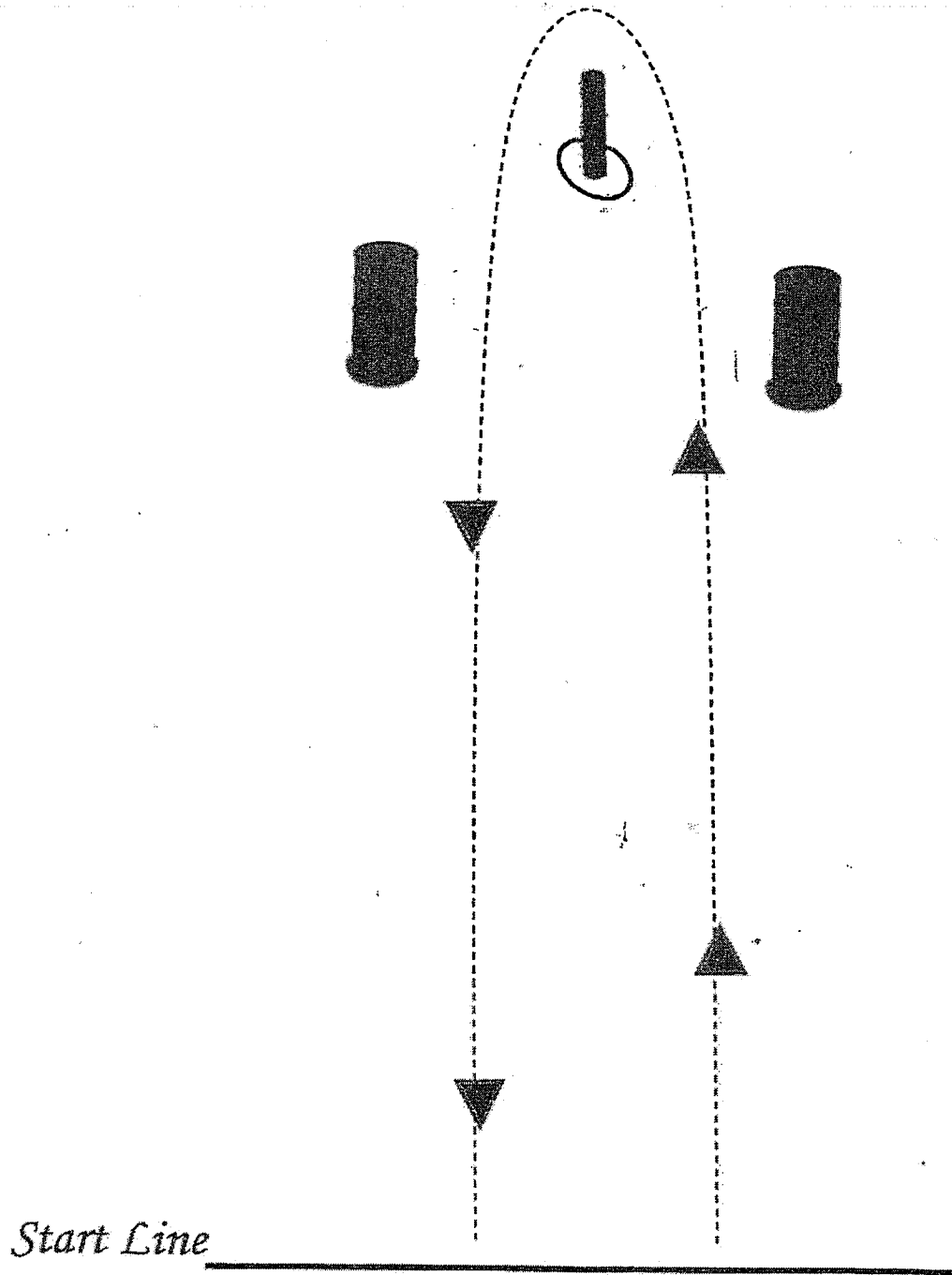
21'



21'

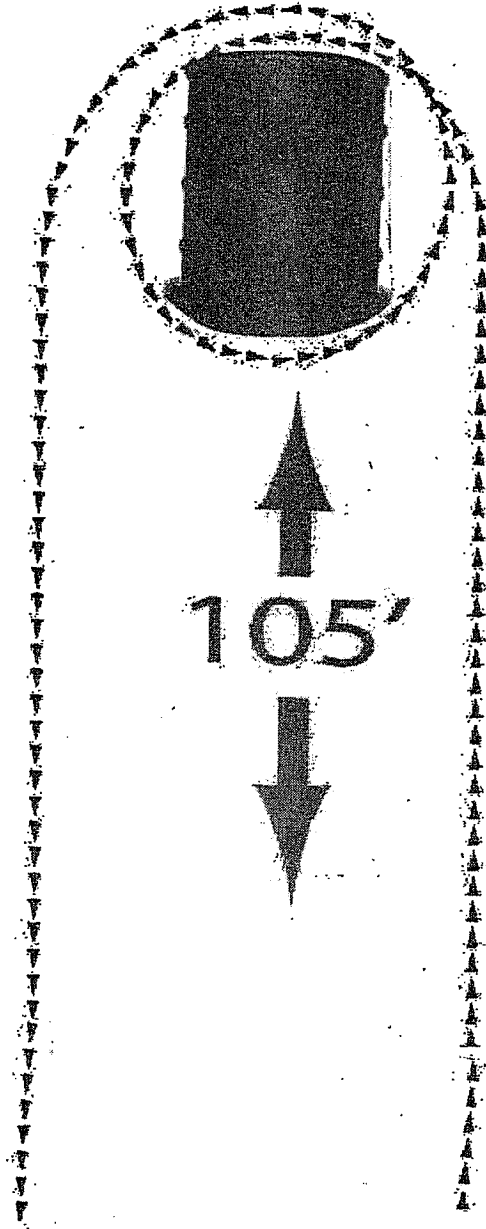


Arizona Keyhole



Start Line

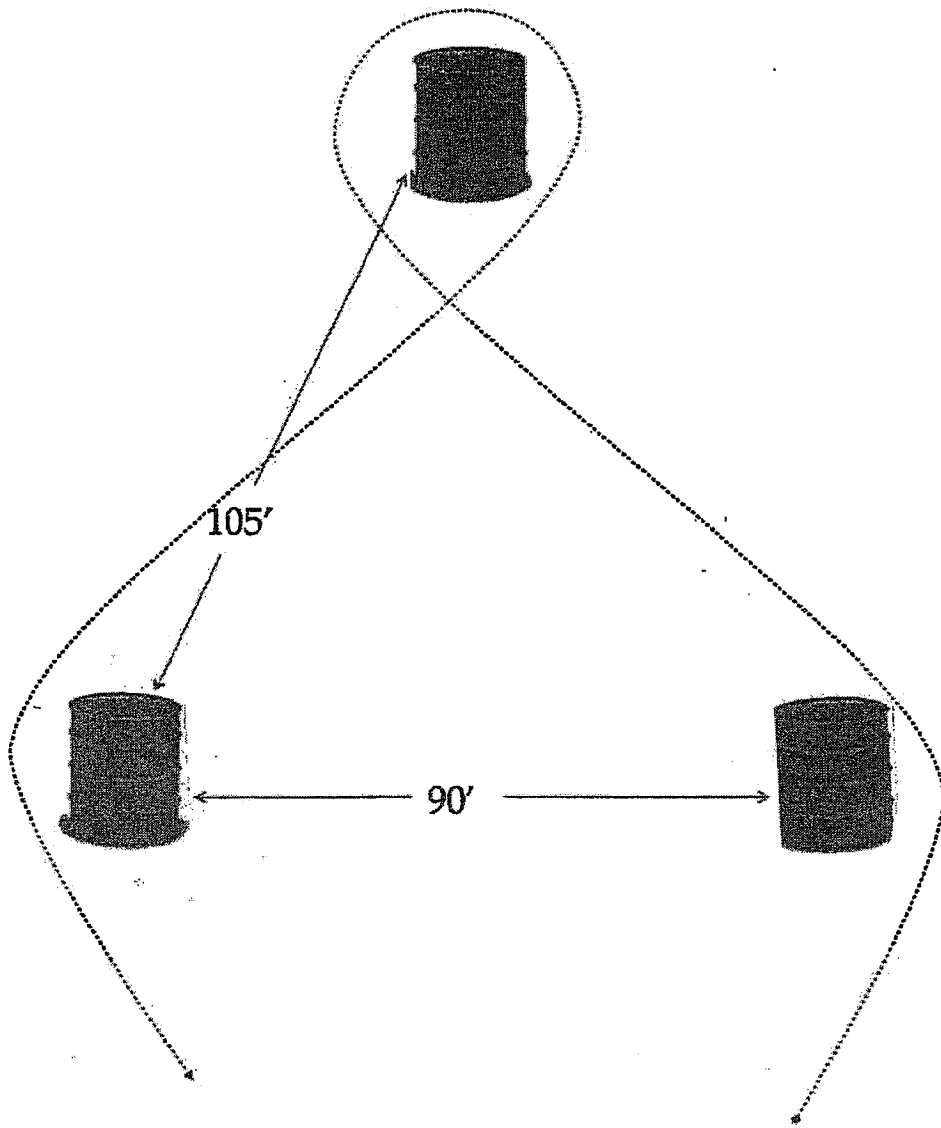
Turn & Burn



Start Line

Can be run in either direction

Spur Race



Start Line



Cloverleaf Barrels

